



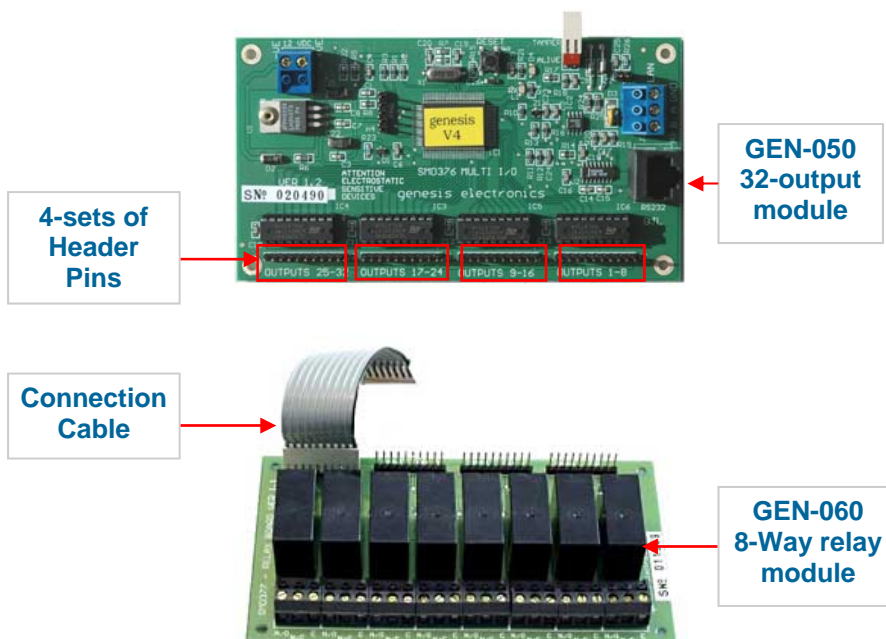
# 8-Relay module

## GEN-030

The Genesis GEN-060 8-Relay module is specially designed to be connected to the GEN-050 (32-Output Controller) via ribbon cable header pins. It is possible to connect 4-sets of GEN060 8-relay modules to the GEN050 that can be used for verity of applications.

The relay contacts are rated at 5-Amp and provide voltage free C/O contacts per output. This offers the installer the flexibility to utilise the relay module for many external automation applications such as, Lift control, Lighting, Door control and many other applications.

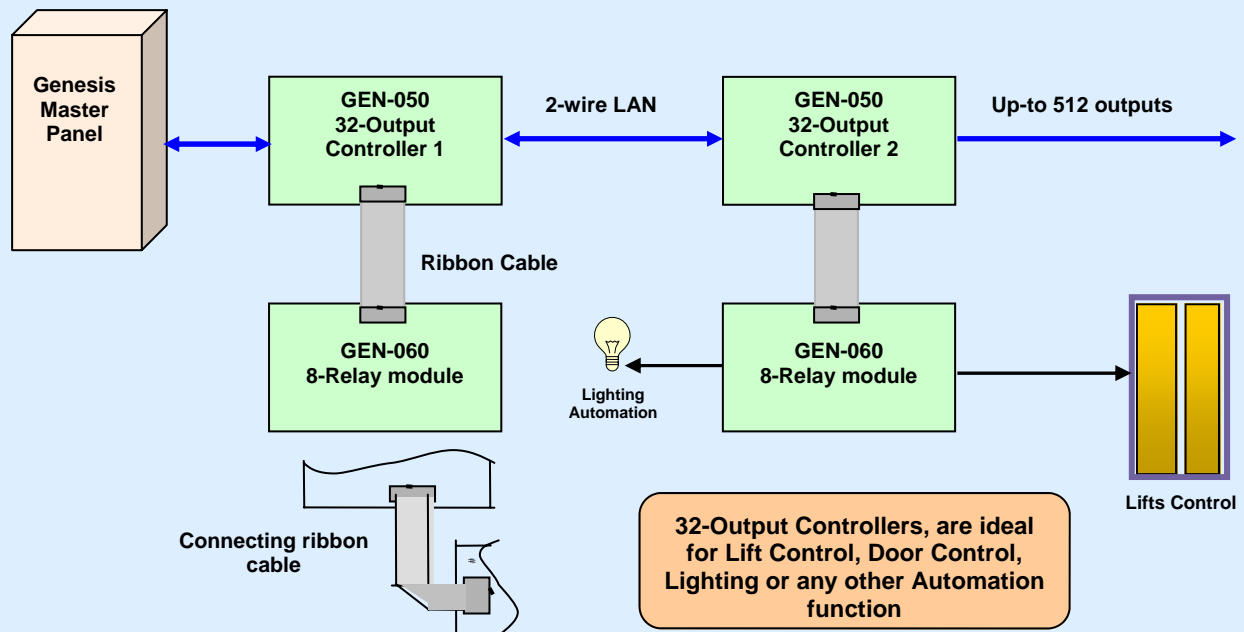
Each relay provides LED status indication for easy identification of their status when commissioning their application.



### GEN-060 Relay module provides

- ◆ 5-Amp relay contact rating for many application
- ◆ Each relay provides LEDs for easy commissioning
- ◆ Size fits into the same cabinet, mounting provided
- ◆ Ribbon connection quick connect cable is included
- ◆ Change over contacts (Form-C) per relay output

## 8-Relay module layout



Up to 4 relay modules are supported on the Genesis GEN-050 32-Output controller

### 8-Relay module

### Specifications

Size	140 x 80 x 30
Shipping weight	0.1kg (100g)
Shipping dimensions	175 x 112 x 50 mm
<b>Power</b>	
Input voltage	11 -16v DC
Current	30mA per relay
<b>Outputs</b>	
Relay outputs	8 x voltage free contacts
Relay rating	5-Amp contact rating, resistive load at 35 AC
Relay status indicators	1 x LED per relay

### Genesis Electronics Australia Pty Ltd

F3, 2-4 Laser Drive, Rowville, Victoria 3178 Australia  
 Phone: +61 3 9763 4359 Fax: +61 3 9763 4098  
[www.genisiselectronics.com.au](http://www.genisiselectronics.com.au)  
[info@genisiselectronics.com.au](mailto:info@genisiselectronics.com.au)

Distributed by:

Allen's Security Services  
 Phone: 0439 637 207  
 Web: [www.allensecurity.com.au](http://www.allensecurity.com.au)  
 E-mail: [g-allen1@bigpond.net.au](mailto:g-allen1@bigpond.net.au)



NZ

ISO 9001-2000

