



# 32-Output Controller

## GEN-050

The Genesis GEN-050, 32-Output Controller is a dedicated 32 output device that communicates with the Master Panel on a high-speed two-wire RS485 LAN network that extends up-to 1500m from the Master Panel.

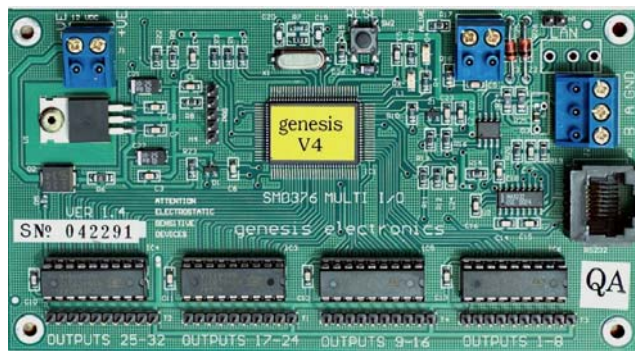
The controller will fit in a standard Genesis cabinet and includes a tamper input for added protection. The controller supports 4 x high current 8-way relay modules with voltage free contacts the relays can be used to switch range of voltages for verity of applications.

On board RS232 Computer Port allows system changes or direct PC connectivity for user interface software anywhere throughout the LAN network.

There are 4-sets of output header pins provided, these are rated at 100mA per output and can easily be converted to relays by simply connecting one or up to 4 sets of GEN-060 8-way relay modules utilising the connection ribbon cables provided.

The Output controller is ideal for Building / Home Automation applications, Lift control, Lighting control, Door control, Solenoids, Mimic panels, Relay boards and many other automation applications.

Up to 512 outputs are supported utilising multiple GEN050 Output controllers on the multi-drop RS485 high-speed LAN network.

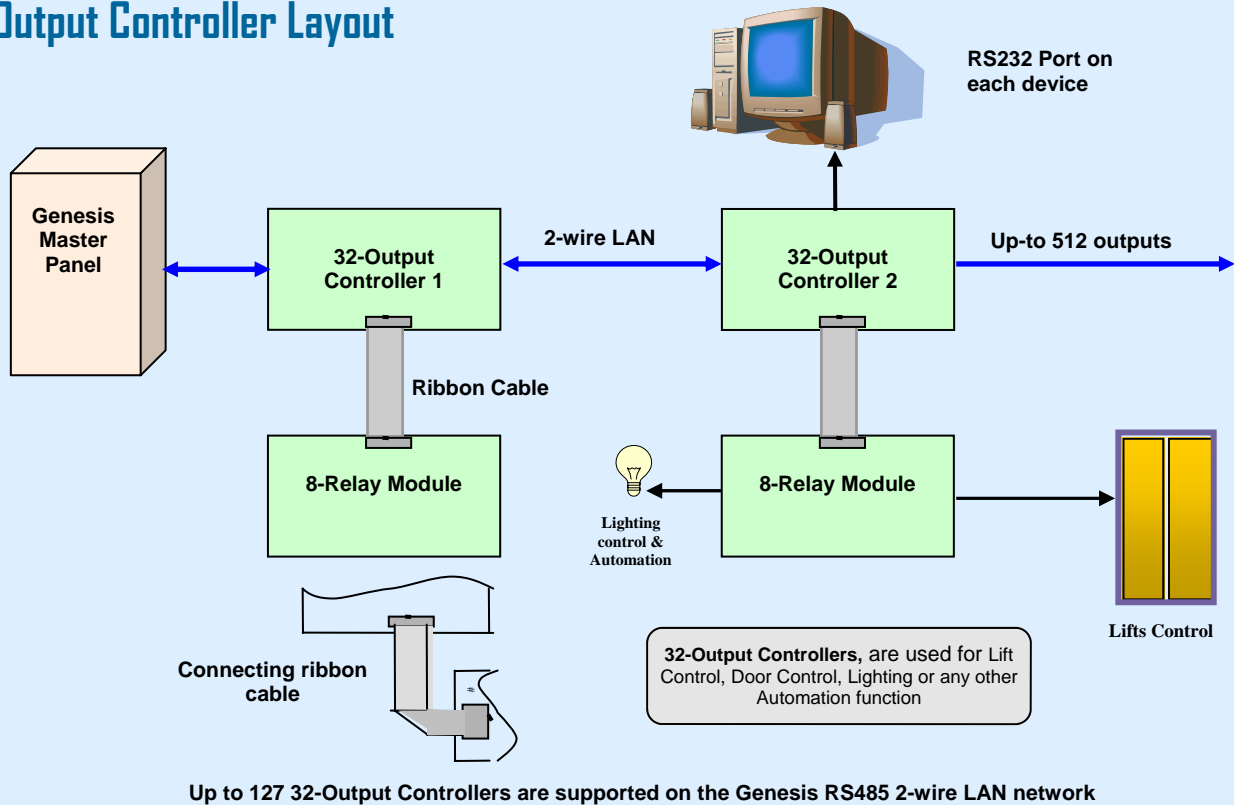


### GEN-050 Output Controller provides

- ◆ 32 x open collector outputs
- ◆ Supports optional 4 x 8-way relay boards
- ◆ Connects directly to the RS-485 LAN bus
- ◆ Expands the system up-to 512 outputs
- ◆ On-Board cabinet tamper input
- ◆ On-Board 16bit Microprocessor
- ◆ PC connectivity RS-232 port



## 32-Output Controller Layout



### 32-Output Controller

### Specifications

Processor	16 bit Mitsubishi
Memory	256k ROM + 20k Ram
Size	140 x 80 x 30
Shipping weight	0.1kg (100g)
Shipping dimensions	175 x 112 x 50 mm
<b>Power</b>	
Input voltage	11 -16v DC
Current	30mA on stand by
Inputs	1 x tamper
<b>Outputs</b>	
Outputs	32 open collector outputs
Output current	100mA per output
Relay output	8-way relay boards, GEN060 (optional)
<b>Communication</b>	
PC	RS232 port, built-in RJ45 connector plug
LAN Communication	RS485, LAN speed 19,200 baud rate
Environmental	-15 to + 50 C, 10 to 90% RH non-condensing

### Genesis Electronics Australia Pty Ltd

F3, 2-4 Laser Drive, Rowville, Victoria 3178 Australia  
 Phone: +61 3 9763 4359 Fax: +61 3 9763 4098  
[www.genisiselectronics.com.au](http://www.genisiselectronics.com.au)  
[info@genisiselectronics.com.au](mailto:info@genisiselectronics.com.au)

Distributed by:

Allen's Security Services  
 Phone: 0439 637 207  
 Web: [www.allensecurity.com.au](http://www.allensecurity.com.au)  
 E-mail: [g-allen1@bigpond.net.au](mailto:g-allen1@bigpond.net.au)



NZ

ISO 9001-2000

